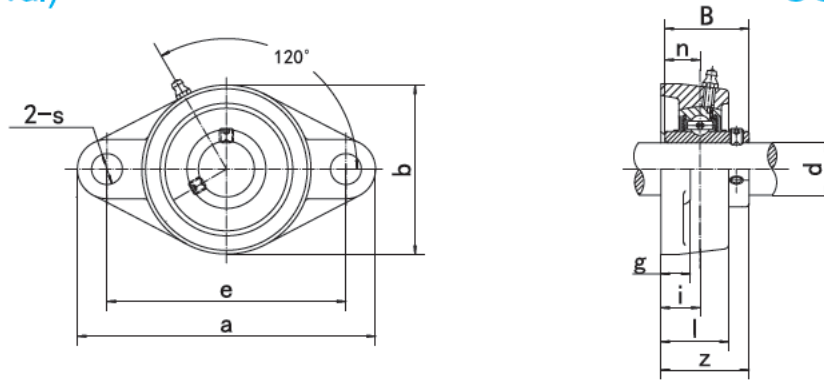


Flange Units (Oval)

UCFT2 (Normal-duty)



Unit NO.	Dimensions ( mm / in. )											Bolt Size mm/in.	Bearing No.	Housing No.	Weight (kg)
	d	a	e	i	g	l	s	b	z	B	n				
<b>UCFT204</b>	<b>20</b>	<b>112</b>	<b>89.5</b>	<b>19.0</b>	<b>11.0</b>	<b>29.0</b>	<b>10.5</b>	<b>60.0</b>	<b>37.3</b>	<b>31.0</b>	<b>12.7</b>	<b>M8</b>	<b>UC204</b>	FT204	0.45
204-12	3/4	4-13/32	3-33/64	3/4	7/16	1-9/64	27/64	2-3/8	1-15/32	1.2205	0.500	5/16	UC204-12		0.45
<b>UCFT205</b>	<b>25</b>	<b>124</b>	<b>99.0</b>	<b>20.0</b>	<b>13.0</b>	<b>31.0</b>	<b>13.0</b>	<b>70.0</b>	<b>39.8</b>	<b>34.1</b>	<b>14.3</b>	<b>M10</b>	<b>UC205</b>	FT205	0.63
205-13	13/16												UC205-13		0.67
205-14	7/8	4-7/8	3-57/64	25/32	1/2	1-7/32	33/64	2-3/4	1-37/64	1.3425	0.563	3/8	UC205-14		0.66
205-15	15/16												UC205-15		0.64
205-16	1												UC205-16		0.63
<b>UCFT206</b>	<b>30</b>	<b>141</b>	<b>116.5</b>	<b>21.0</b>	<b>13.0</b>	<b>34.0</b>	<b>13.0</b>	<b>82.0</b>	<b>43.2</b>	<b>38.1</b>	<b>15.9</b>	<b>M10</b>	<b>UC206</b>	FT206	0.89
206-17	1-1/16												UC206-17		0.90
206-18	1-1/8	5-35/64	4-37/64	53/64	1/2	1-11/32	33/64	3-15/64	1-45/64	1.5000	0.626	3/8	UC206-18		0.91
206-19	1-3/16												UC206-19		0.89
206-20	1-1/4												UC206-20		0.88
<b>UCFT207</b>	<b>35</b>	<b>156</b>	<b>130.0</b>	<b>21.5</b>	<b>14.0</b>	<b>36.5</b>	<b>14.0</b>	<b>95.0</b>	<b>46.9</b>	<b>42.9</b>	<b>17.5</b>	<b>M12</b>	<b>UC207</b>	FT207	1.25
207-20	1-1/4												UC207-20		1.32
207-21	1-5/16	6-9/64	5-1/8	27/32	35/64	1-7/16	35/64	3-47/64	1-27/32	1.6890	0.689	7/16	UC207-21		1.29
207-22	1-3/8												UC207-22		1.26
207-23	1-7/16												UC207-23		1.23
<b>UCFT208</b>	<b>40</b>	<b>171</b>	<b>143.5</b>	<b>24.0</b>	<b>14.0</b>	<b>39.0</b>	<b>14.0</b>	<b>105.0</b>	<b>54.2</b>	<b>49.2</b>	<b>19.0</b>	<b>M12</b>	<b>UC208</b>	FT208	1.61
208-24	1-1/2	6-47/64	5-21/32	61/64	35/64	1-17/32	35/64	4-9/64	2-9/64	1.9370	0.748	7/16	UC208-24		1.65
208-25	1-9/16												UC208-25		1.62
<b>UCFT209</b>	<b>45</b>	<b>179</b>	<b>148.5</b>	<b>24.0</b>	<b>14.0</b>	<b>40.0</b>	<b>16.0</b>	<b>111.0</b>	<b>54.2</b>	<b>49.2</b>	<b>19.0</b>	<b>M14</b>	<b>UC209</b>	FT209	1.81
209-26	1-5/8												UC209-26		1.91
209-27	1-11/16	7-3/64	5-55/64	61/64	35/64	1-37/64	5/8	4-3/8	2-9/64	1.9370	0.748	1/2	UC209-27		1.87
209-28	1-3/4												UC209-28		1.83
<b>UCFT210</b>	<b>50</b>	<b>189</b>	<b>157.0</b>	<b>28.5</b>	<b>14.0</b>	<b>47.0</b>	<b>16.0</b>	<b>116.0</b>	<b>61.1</b>	<b>51.6</b>	<b>19.0</b>	<b>M14</b>	<b>UC210</b>	FT210	2.15
210-29	1-13/16												UC210-29		2.27
210-30	1-7/8	7-7/16	6-3/16	1-1/8	35/64	1-27/32	5/8	4-9/16	2-13/32	2.0315	0.748	1/2	UC210-30		2.22
210-31	1-15/16												UC210-31		2.17
210-32	2												UC210-32		2.13
<b>UCFT211</b>	<b>55</b>	<b>216</b>	<b>184.0</b>	<b>32.0</b>	<b>20.0</b>	<b>50.0</b>	<b>18.0</b>	<b>133.0</b>	<b>65.4</b>	<b>55.6</b>	<b>22.2</b>	<b>M16</b>	<b>UC211</b>	FT211	3.20
211-32	2												UC211-32		3.35
211-33	2-1/16	8-1/2	7-1/4	1-17/64	25/32	1-31/32	45/64	5-15/64	2-37/64	2.1890	0.874	5/8	UC211-33		3.29
211-34	2-1/8												UC211-34		3.25
211-35	2-3/16												UC211-35		3.18
<b>UCFT212</b>	<b>60</b>	<b>235</b>	<b>202</b>	<b>34</b>	<b>21</b>	<b>53</b>	<b>18</b>	<b>138</b>	<b>73.7</b>	<b>65.1</b>	<b>25.4</b>	<b>M16</b>	<b>UC212</b>	FT212	4.00
212-36	2-1/4												UC212-36		4.13
212-37	2-5/16	9-1/4	7-61/64	1-9/64	53/64	2-3/32	23/32	5-7/16	2-29/32	2.5630	1.000	5/8	UC212-37		4.05
212-38	2-3/8												UC212-38		3.98
212-39	2-7/16												UC212-39		3.91
<b>UCFT213</b>	<b>65</b>	<b>248</b>	<b>210</b>	<b>38</b>	<b>22</b>	<b>56</b>	<b>20.5</b>	<b>152</b>	<b>77.7</b>	<b>65.1</b>	<b>25.4</b>	<b>M18</b>	<b>UC213</b>	FT213	4.72
213-40	2-1/2	9-49/64	8-17/64	1-1/2	55/64	2-13/64	13/16	5-63/64	3-1/16	2.5630	1.000	23/32	UC213-40		4.81
213-41	2-9/16												UC213-41		4.72
<b>UCFT214</b>	<b>70</b>	<b>257</b>	<b>216</b>	<b>38</b>	<b>23</b>	<b>58</b>	<b>23</b>	<b>157</b>	<b>82.4</b>	<b>74.6</b>	<b>30.2</b>	<b>M20</b>	<b>UC214</b>	FT214	5.27
214-42	2-5/8												UC214-42		5.48
214-43	2-11/16	10-7/16	8-1/2	1-1/2	29/32	2-9/32	29/32	6-3/16	3-1/4	2.9370	1.189	3/4	UC214-43		5.38
214-44	2-3/4												UC214-44		5.28